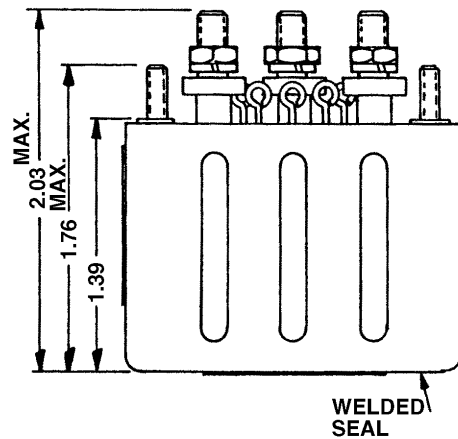
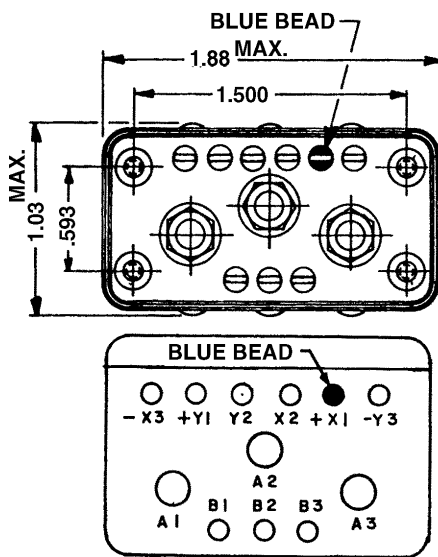


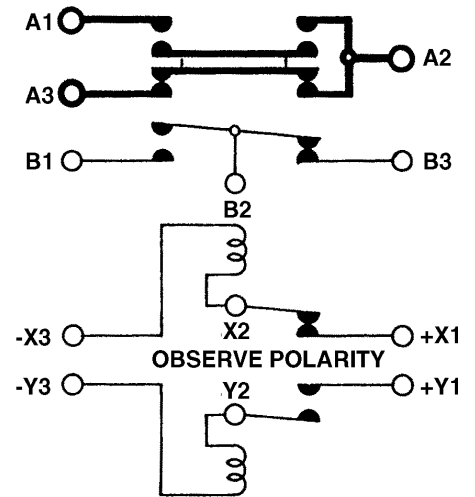
# N-208 SPDT, Double Break, Magnetic Latch, 50 Amps, 28 VDC

**Features:**

- SPDT Double Break Main Contacts
- Magnetic Latch
- Hermetically Sealed
- Self De-Energizing Coil
- 28 VDC
- 50 Amps
- High Reliability
- Meets many requirements of MIL-R-6106
- Light Weight Construction



**CONTACTOR CONFIGURATION**



Dimensions for this product are expressed in inches. Multiply values by 25.4 for millimeters.

**Notes:**

PRODUCT SPECIFICATIONS	
Construction	Welded Hermetic Seal
Main Contacts:	
Configuration	SPDT Double Break
Voltage (Nominal)	28 VDC
Current (Resistive)	50 Amps
Auxiliary Contacts:	
Configuration	SPDT
Voltage (Nominal)	28 VDC
Current (Resistive)	2 Amps
Coil Data:	
Duty Cycle	Continuous, Self De-Energizing
Voltage (Nominal)	28 VDC
Pick-Up Voltage	20 VDC at 125°C
Operating Temperature	-65°C to +125°C
Life:	
Electrical	50,000 Cycles
Mechanical	50,000 Cycles
Weight	.3 Lb.

For factory-direct application assistance, contact the HARTMAN product team at (419) 521-9500, Fax (419) 526-2749.

© 2004 by Tyco Electronics Corporation. All Rights Reserved. HARTMAN and TYCO are trademarks.